

ART. **707**

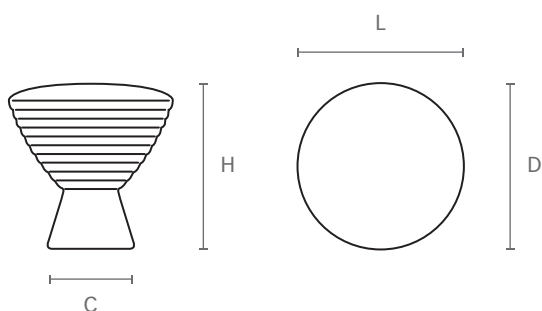
design: Carlo Martin



Pomolo in zama pressofusa, completo di vite M4 x 25.

Die-cast zamac knob, complete M4 x 25 screw.

Misure / Sizes



Finiture / Finishes



Cromo
Chrome



Econichel
Econickel



Nichel opaco
Matt nickel

ART.	L	C	H	D
707A	28	14	28	28
707B	22	11	22	22