

ART. 1340

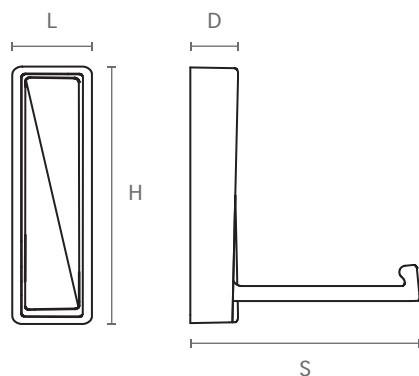
design: Mital Lab



Portabito in zama pressofusa,
completo di viti e tasselli.

Die-cast zamac coat hanger,
with screws and plugs included.

Misure / Sizes



Finiture / Finishes



Antracite
Anthracite



Cromo
Chrome



Nichel satinato
Satined nickel

ART.	L	H	D	S
1340	25	80	15	71