

ART. **400**

design: Mital Lab

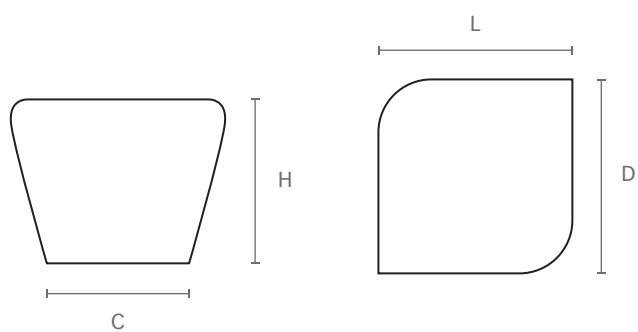


Pomolo in zama pressofusa, completo di vite M4 x 25.

Die-cast zamac knob, complete M4 x 25 screw.

Misure / Sizes

Finiture / Finishes



Cromo
Chrome



Nichel satinato
Satined nickel

ART.	L	C	H	D
400B	30	20	23	30