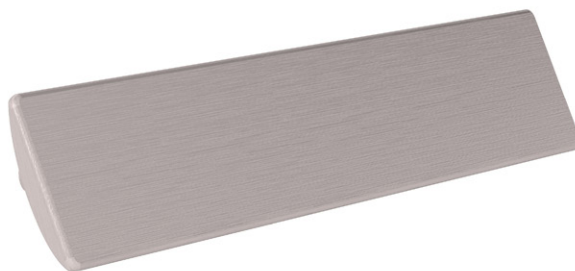


ART. **3420**

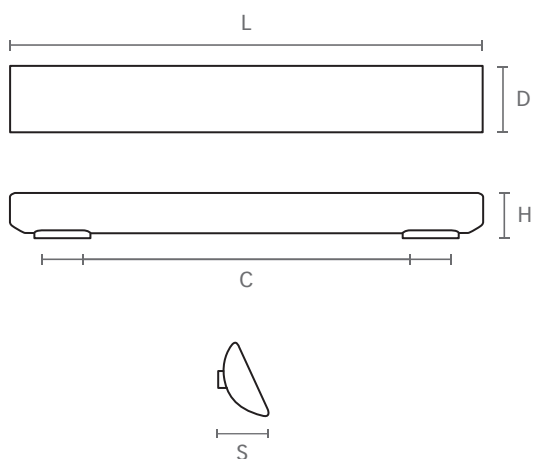
design: Rigo



Maniglia in zama pressofusa con doppio interasse, completa di viti M4 x 25.

Die-cast zamac handle with double cc, with M4 x 25 screws included.

Misure / Sizes



Finiture / Finishes



Cromo
Chrome



Cromo satinato
Satined chrome

ART.	L	C	H	D	S
3420A	345	320/288	18	26	18
3420B	185	160/128	18	26	18